

OLED

Title		<Title>
Size	A3	Document Number <Doc>
Date:	Thursday, November 06, 2025	Sheet 1 of 4

V1.1 OLED IO7-TO-IO12 IO8-TO-IO13

D

D

C

C

B

B

A

A

Title		
<Title>		
Size	Document Number	Rev
A	<Doc>	<RevCode>
Date:	Thursday, November 06, 2025	Sheet 1 of 1

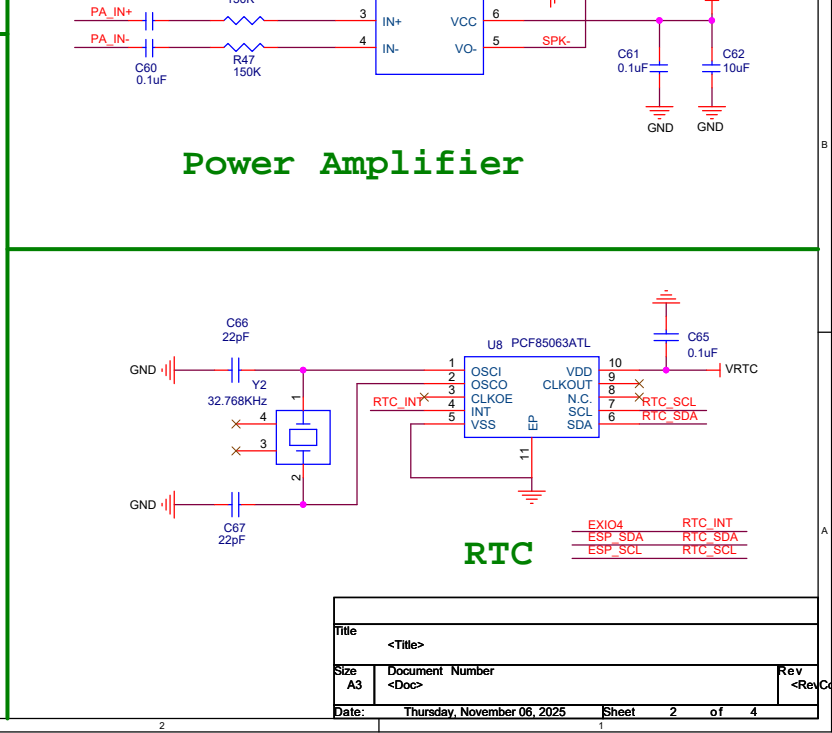
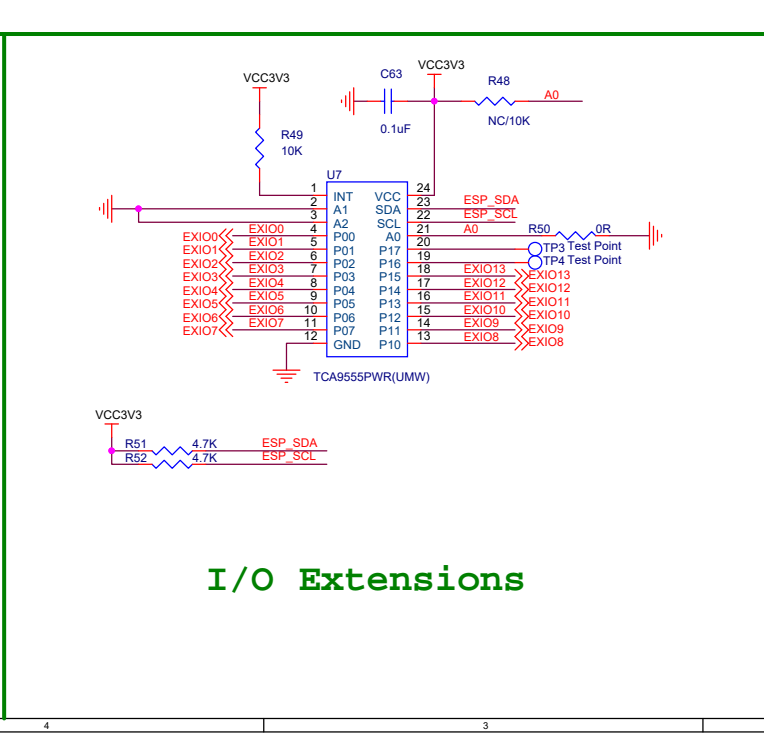
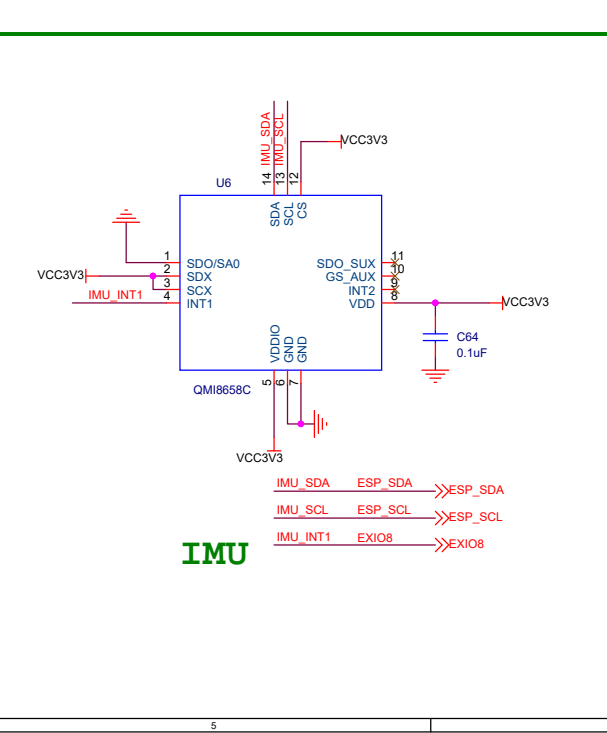
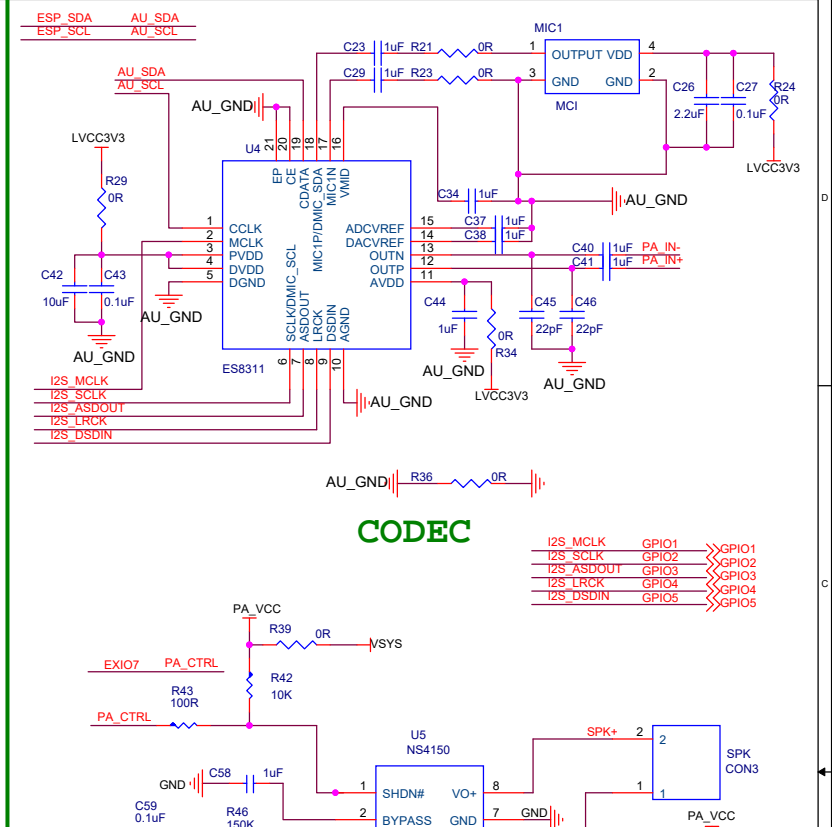
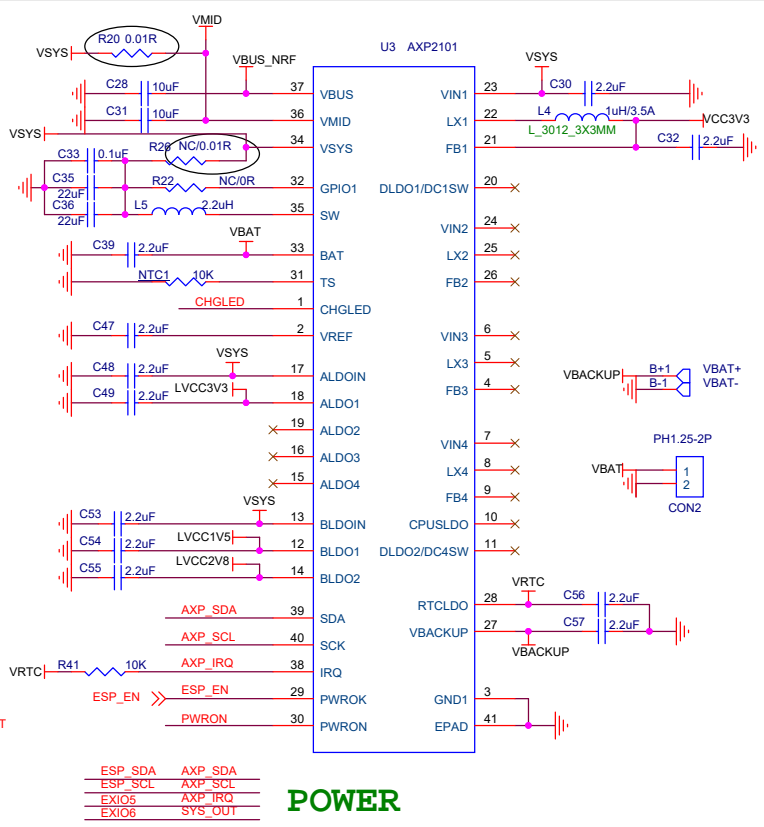
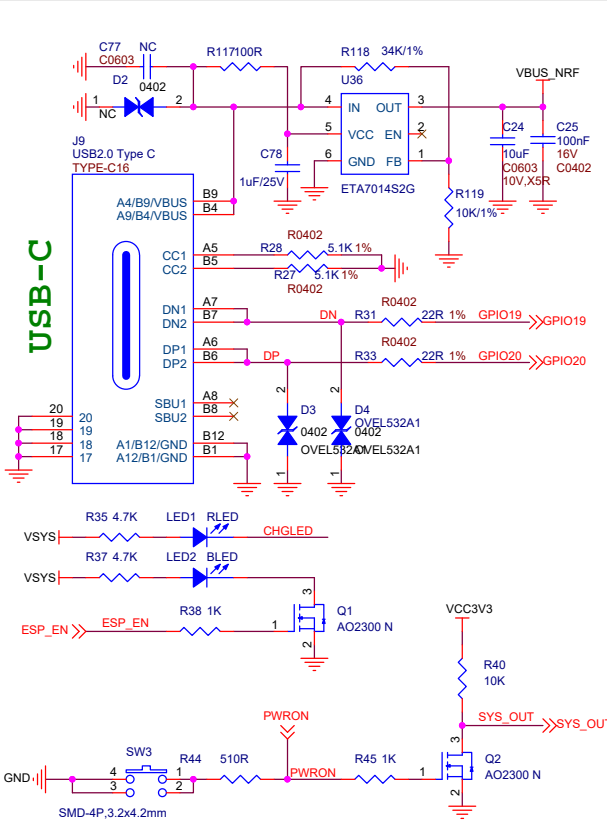
5

4

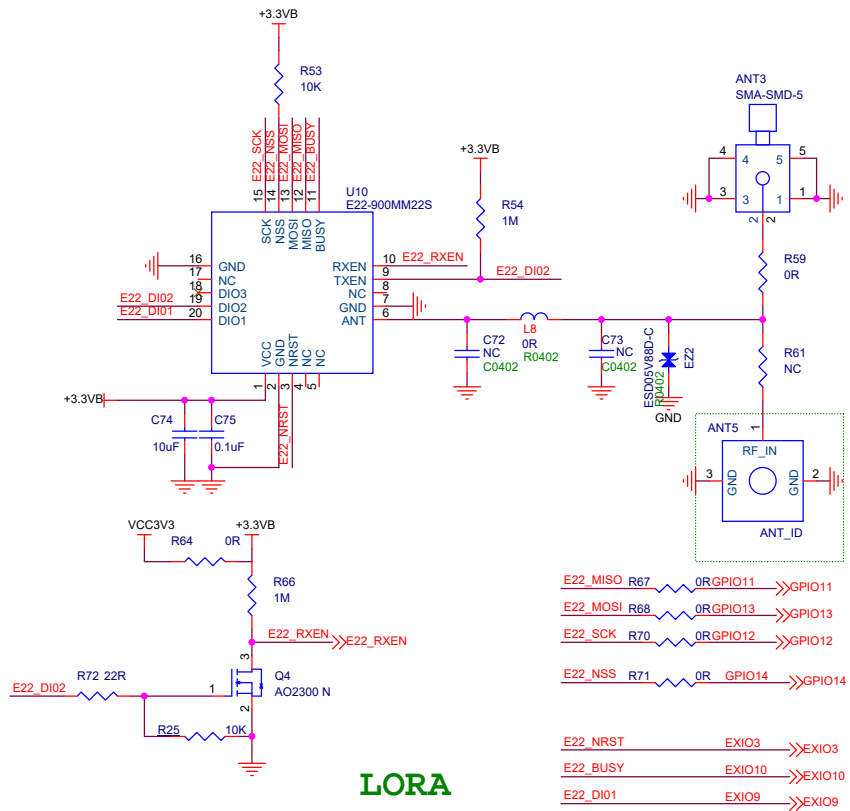
3

2

1

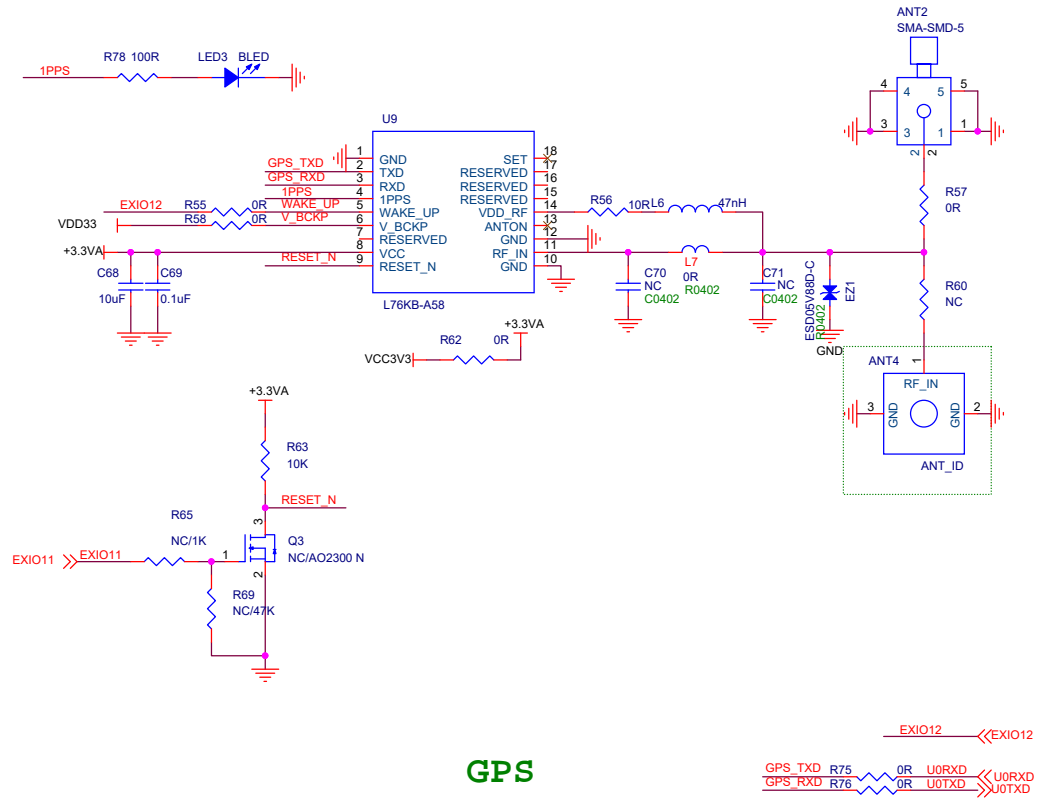


Title		<Title>
Size	Document Number	Rev
A3	<Doc>	<Rev Code>
Date:	Thursday, November 06, 2025	Sheet 2 of 4



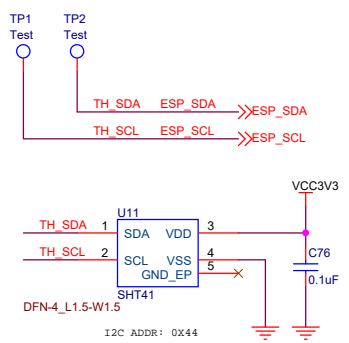
LORA

- E22_MISO R67 0R GPIO11 >>GPIO11
- E22_MOSI R68 0R GPIO13 >>GPIO13
- E22_SCK R70 0R GPIO12 >>GPIO12
- E22_NSS R71 0R GPIO14 >>GPIO14
- E22_NRST EXIO3 >>EXIO3
- E22_BUSY EXIO10 >>EXIO10
- E22_DIO1 EXIO9 >>EXIO9



GPS

- EXIO12 <<EXIO12
- GPS_TXD R75 0R U0RXD <<U0RXD
- GPS_RXD R76 0R U0TXD <<U0TXD



TH Sensor

Title		<Title>
Size	Document Number	Rev
A3	<Doc>	<Rev Code>
Date:	Thursday, November 06, 2025	Sheet 3 of 4