

6

5

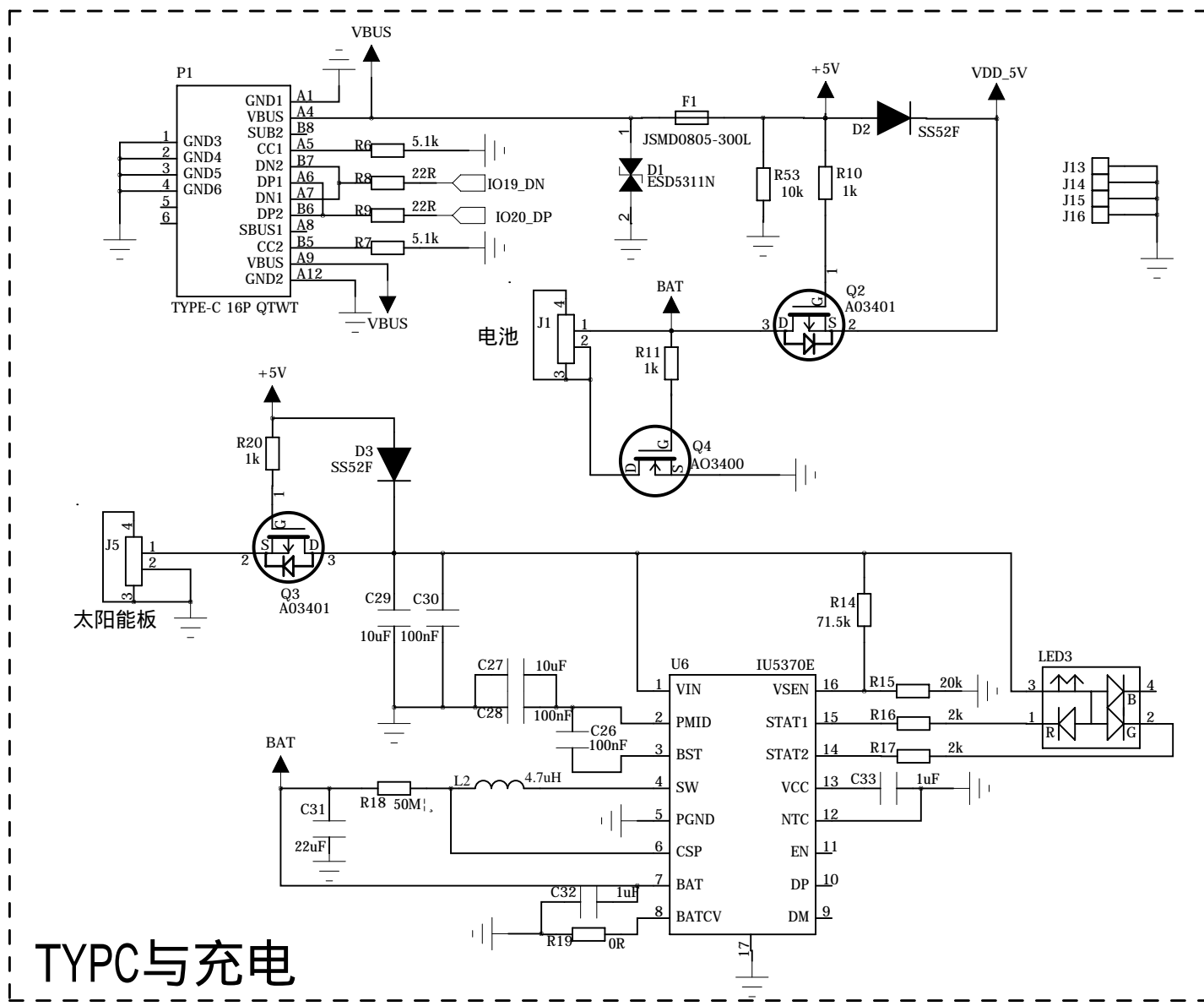
4

3

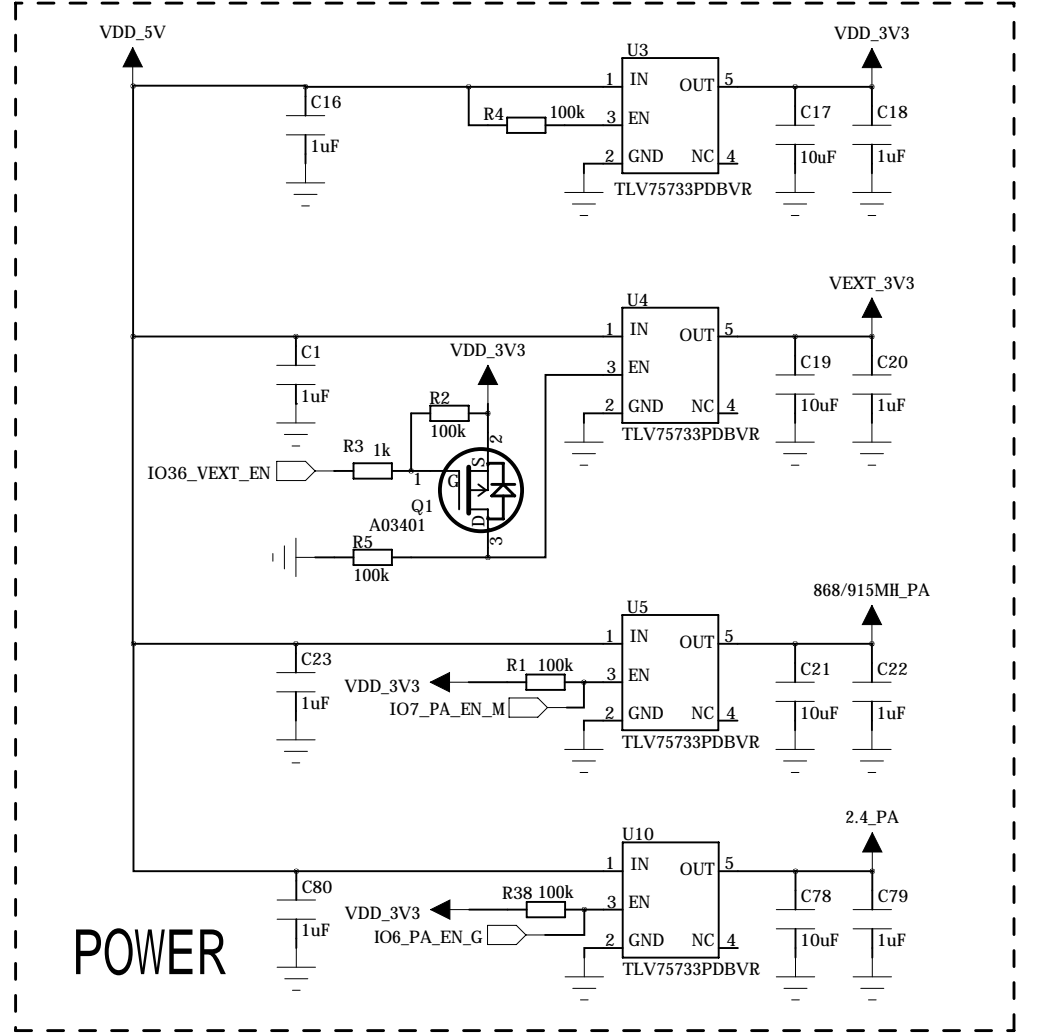
2

1

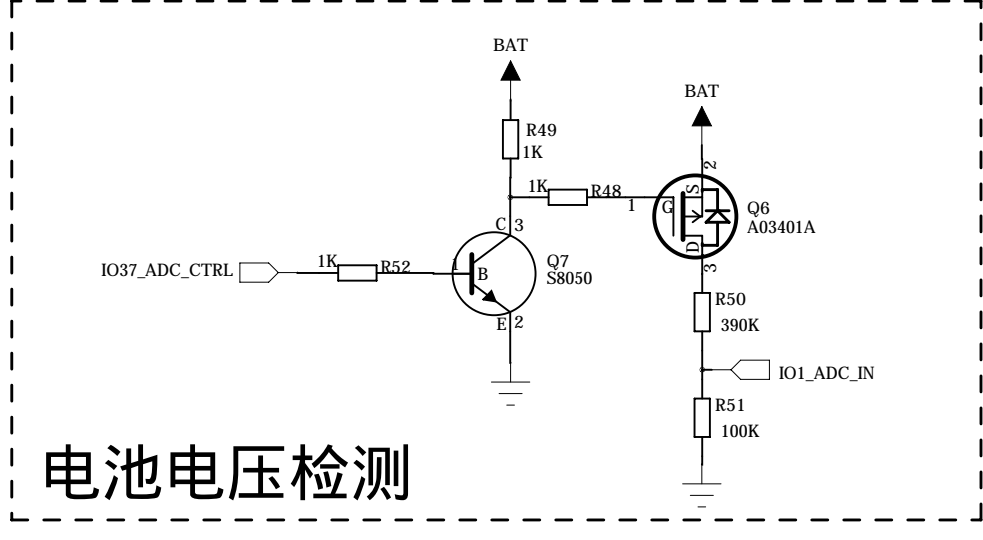
REVISION RECORD			
LTR	ECO NO:	APPROVED:	DATE:



TYPE-C与充电

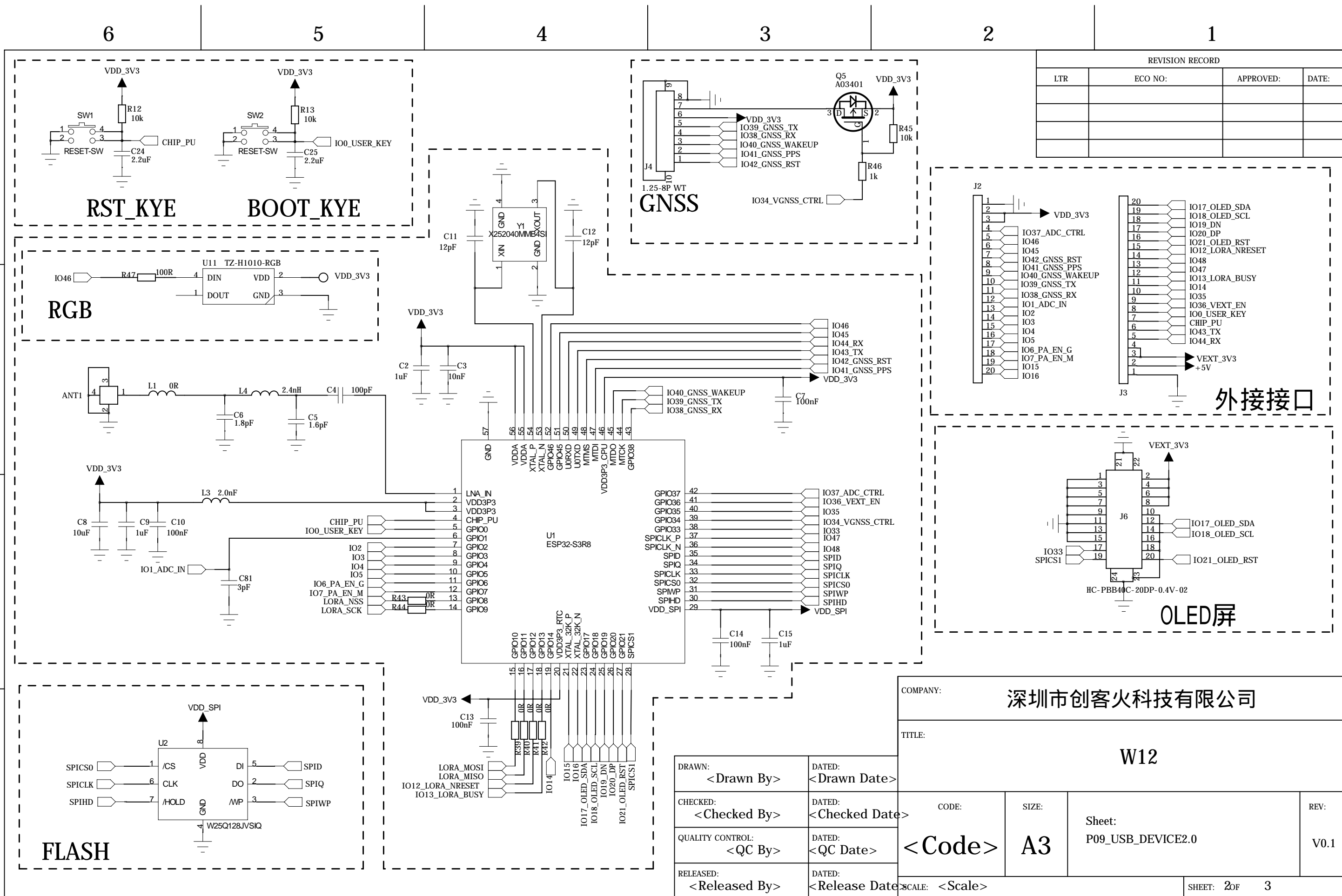


POWER



电池电压检测

COMPANY: 深圳市创客火科技有限公司				
TITLE: W12				
DRAWN: <Drawn By>	DATED: <Drawn Date>	CODE:	SIZE:	DRAWING NO:
CHECKED: <Checked By>	DATED: <Checked Date>	<Code>	A3	001
QUALITY CONTROL: <QC By>	DATED: <QC Date>			REV: V0.1
RELEASED: <Released By>	DATED: <Release Date>	SCALE: <Scale>		SHEET: 1 of 3



REVISION RECORD			
LTR	ECO NO:	APPROVED:	DATE:

COMPANY: 深圳市创客火科技有限公司			
TITLE: W12			
DRAWN: <Drawn By>	DATED: <Drawn Date>	CODE: <Code>	SIZE: A3
CHECKED: <Checked By>	DATED: <Checked Date>	Sheet: P09_USB_DEVICE2.0	REV: V0.1
QUALITY CONTROL: <QC By>	DATED: <QC Date>	SCALE: <Scale>	
RELEASED: <Released By>	DATED: <Release Date>	SHEET: 2 of 3	

6

5

4

3

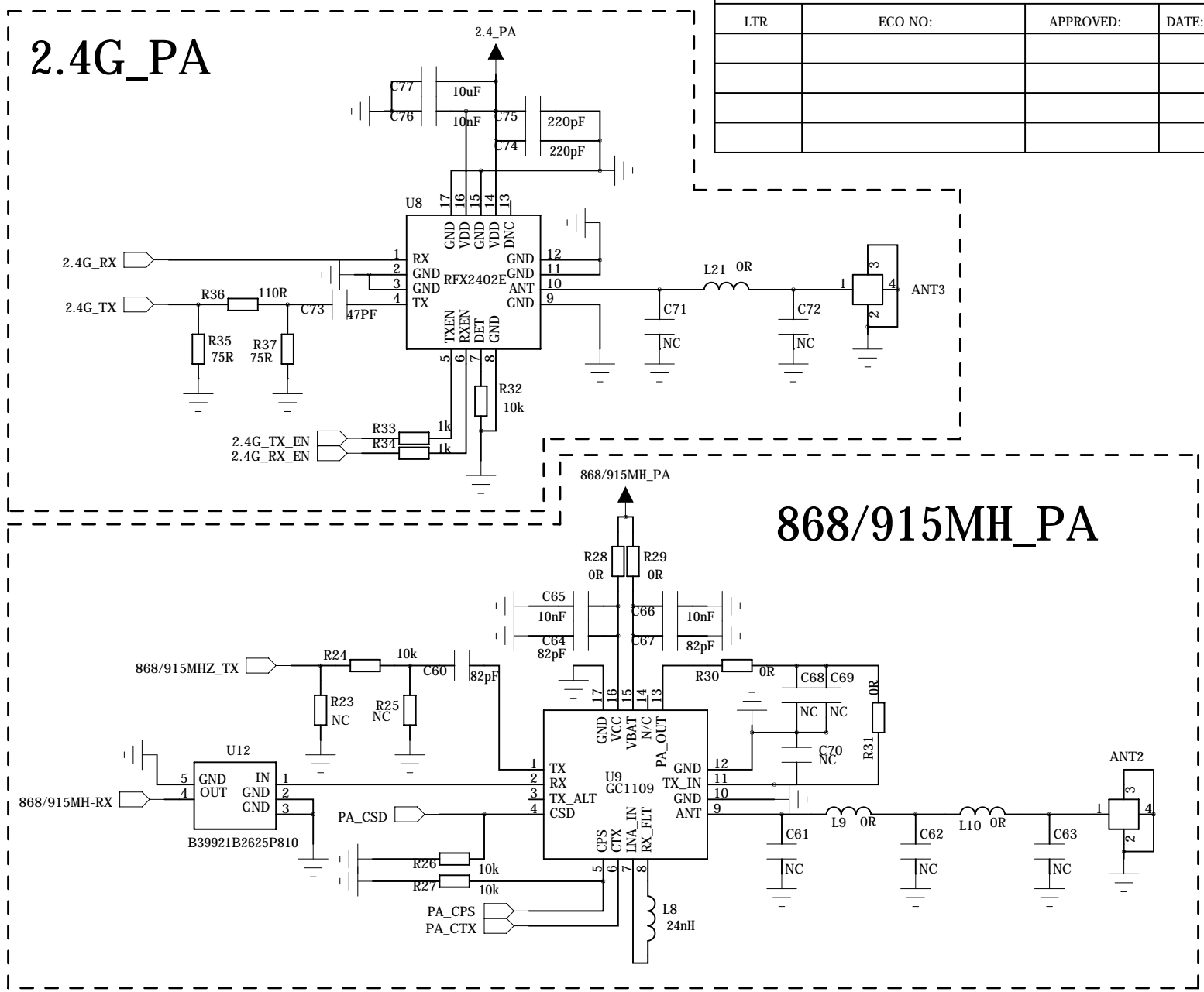
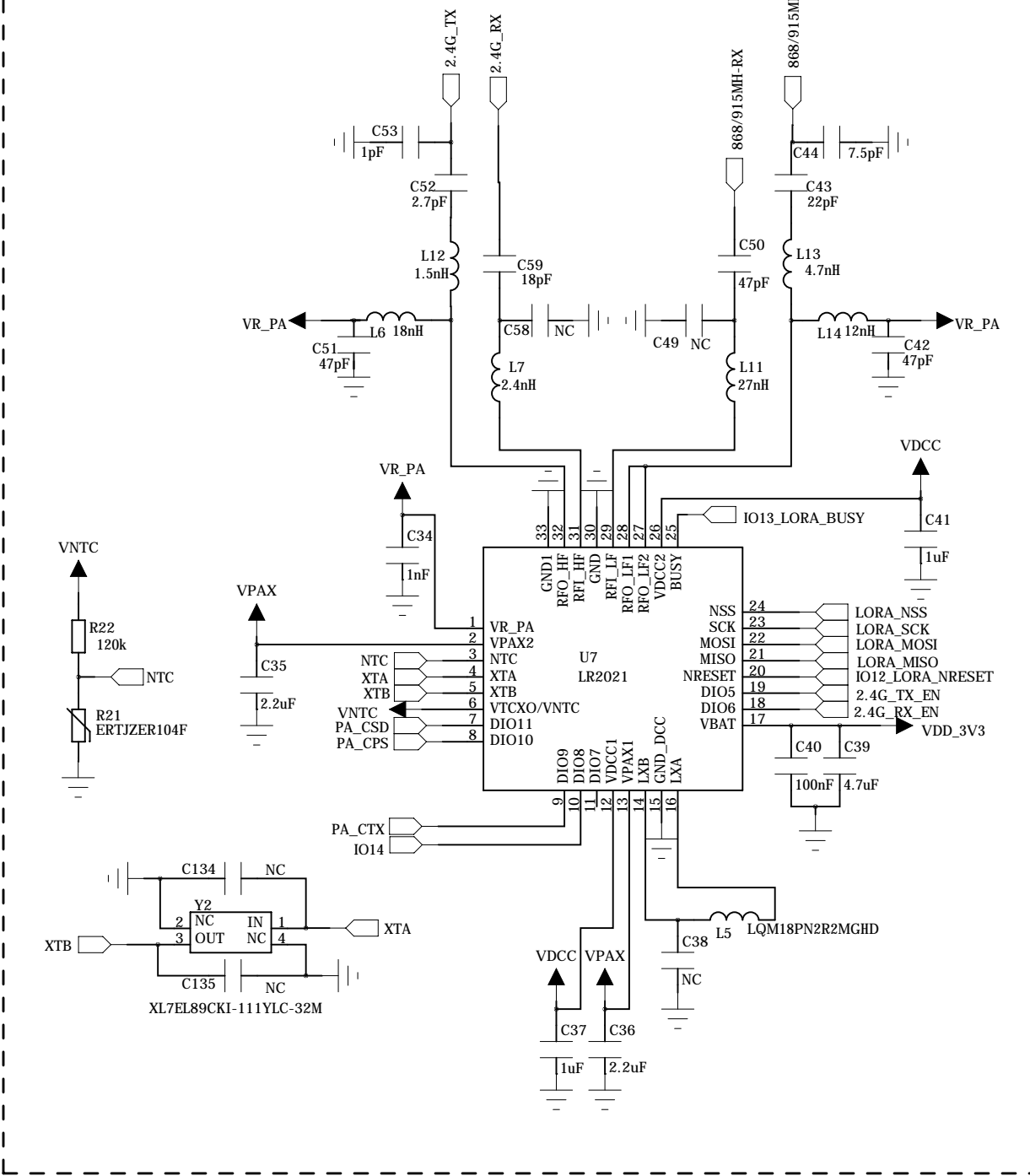
2

1

LORA

2.4G_PA

868/915MH_PA



REVISION RECORD			
LTR	ECO NO:	APPROVED:	DATE:

COMPANY: 深圳市创客火科技有限公司

TITLE: W12

DRAWN: <Drawn By>	DATED: <Drawn Date>
CHECKED: <Checked By>	DATED: <Checked Date>
QUALITY CONTROL: <QC By>	DATED: <QC Date>
RELEASED: <Released By>	DATED: <Release Date>

CODE: <Code>	SIZE: A3	DRAWING NO: 001	REV: V0.1
SCALE: <Scale>			SHEET: 3 of 3