

V0.1

5

4

3

2

1

D

D

C

C

B

B

A

A



Title <Title>		
Size A	Document Number <Doc>	Rev <RevCode>
Date:	Thursday, October 16, 2025	Sheet 1 of 3

5

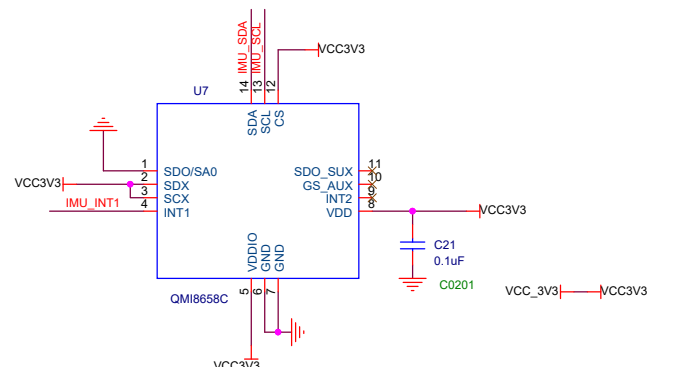
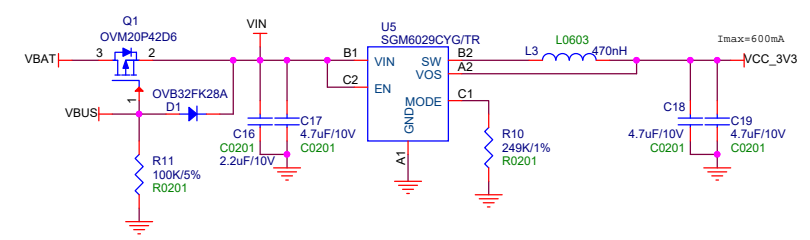
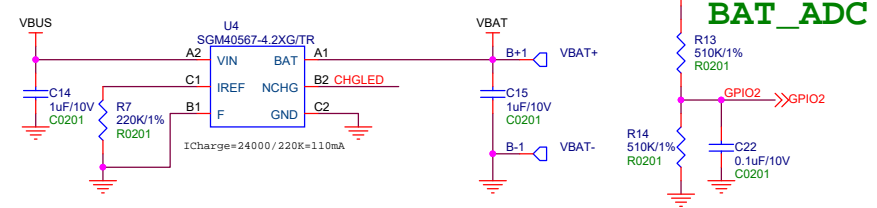
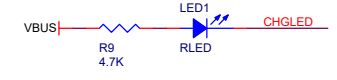
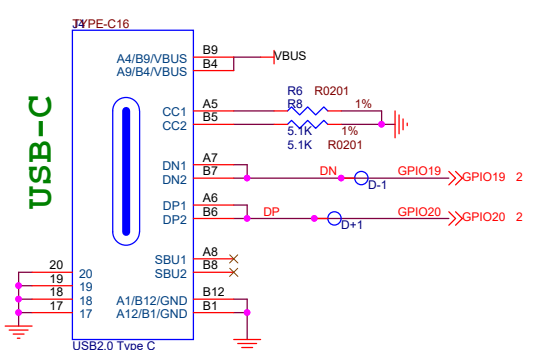
4

3

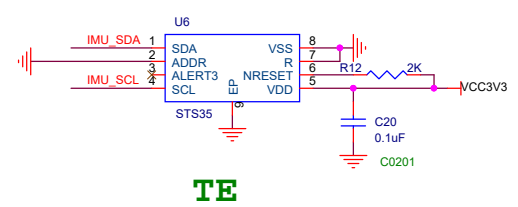
2

1





**IMU**  
 IMU\_SDA ESP\_SDA >>ESP\_SDA 2  
 IMU\_SCL ESP\_SCL >>ESP\_SCL 2  
 IMU\_INT1 GPIO6 >>GPIO6



**TE**

Title		<Title>
Size	Document Number	Rev
A3	<Doc>	<Rev Code>
Date:	Friday, October 17, 2025	Sheet 3 of 3